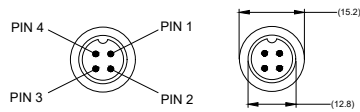


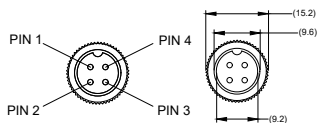
VIEW A



4 PIN MALE MATING FACE

| PIN # | WIRE COLOUR | DESCRIPTION |
|-------|--------------|-------------|
| 1 | RED | +12v |
| 2 | BLACK/SHIELD | GND |
| 3 | WHITE | AUDIO |
| 4 | YELLOW | VIDEO |

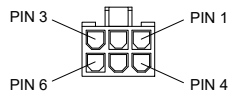
VIEW B



4 PIN FEMALE MATING FACE

| PIN # | WIRE COLOUR | DESCRIPTION |
|-------|---------------|-------------|
| 1 | NOT CONNECTED | N/A |
| 2 | BLACK/SHIELD | GND |
| 3 | WHITE | AUDIO |
| 4 | YELLOW | VIDEO |

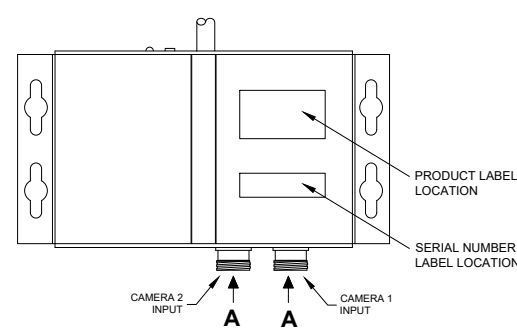
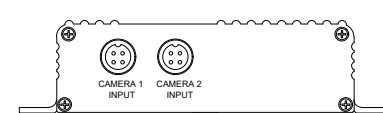
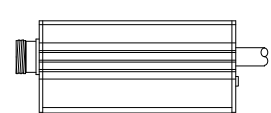
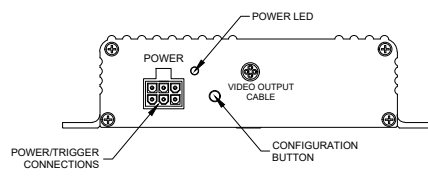
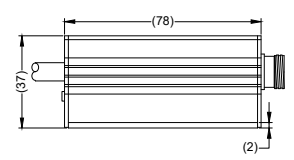
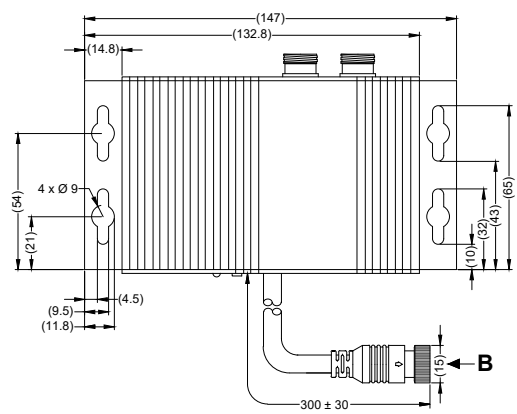
VIEW C



6 PIN FEMALE MATING FACE

| PIN # | WIRE COLOUR | DESCRIPTION |
|-------|-------------|---------------|
| 1 | N/A | NO CONNECTION |
| 2 | BLACK | GND |
| 3 | RED | +12/24V |
| 4 | WHITE | CA1 VIEW ONLY |
| 5 | BLUE | CA2 VIEW ONLY |
| 6 | BROWN | SPLIT VIEW |

| Revision Notes | | | | |
|---|-----------------|-------------------|-------------------|------------------|
| R1 - NOTE 3 FW VERSION UPDATED FROM SV-MU027317-MP-J03A-V11 TO SV-MU027317-MP-J03A-V12 AS PER ECR CR-A598 | | | | |
| APA: WEIHUI WU | Drawn:W.BEAZLEY | Checked:S.LAVER | Approved:D.WALLIN | Date: 02/02/2018 |
| R2 - NOTE 3 FW VERSION UPDATED FROM SV-MU027317-MP-J03A-V12 TO SV-MU027317-MP-J03A-V13 AS PER ECR CR-A695 | | | | |
| APA: JLAM | Drawn:W.BEAZLEY | Checked:J.STEWART | Approved:D.WALLIN | Date: 23/07/2019 |



- NOTES:**
- REFER TO "PRODUCT SPECIFICATION" FOR MORE DETAILS.
 - FOR ALL LABELS AND PACKING REFER TO MASTER BOM.
 - FIRMWARE VERSION SV-MU027317-MP-J03A-V13 TO BE PRELOADED TO THE BOARD.
 - HOUSING MATERIAL: EXTRUDED ALUMINIUM 6063
 - FINISH: BLACK COLOUR.

PROPRIETARY NOTICE
 THIS DESIGN AND TECHNICAL INFORMATION APPEARING ON THIS DRAWING IS THE PROPERTY OF BRIGADE ELECTRONICS, AND IS DISCLOSED IN CONFIDENCE. IT IS NOT TO BE COPIED, REPRODUCED, REVEALED TO OR EXPROPRIATED BY OTHERS, EITHER IN WHOLE OR IN PART WITHOUT THE EXPRESS WRITTEN CONSENT OF BRIGADE ELECTRONICS.



| | | | |
|-----------------------------------|------------------------|------------------------|-----------------------|
| Assembly Pl Approval WEIHUI WU | Approved by B. JOHN | Checked by R. BATES | Drawn by L. PILLAY |
| Angle of Projection | Units mm | Scale N/A | Released 05/08/17 |
| Status RELEASED | SS-002 ECU | | |
| Part No 3334B | BE-003709-02-17 | | |